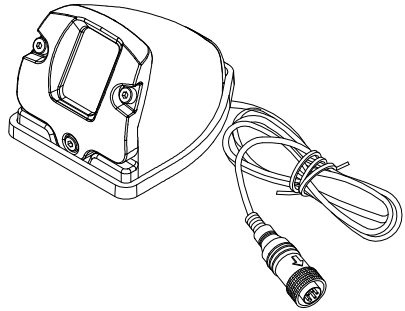
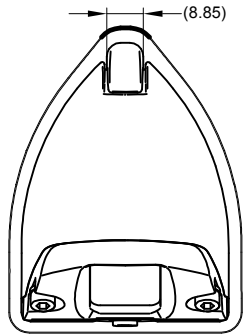
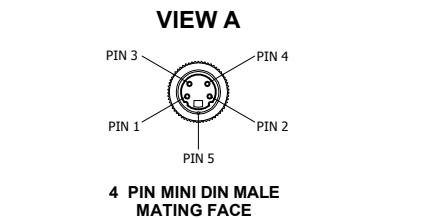
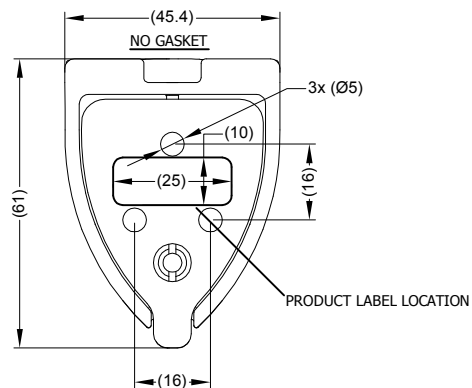
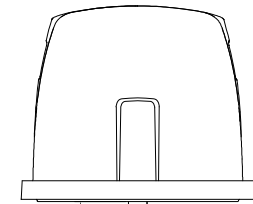
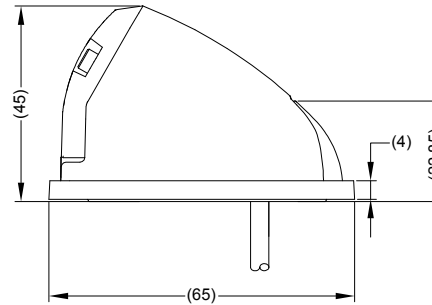
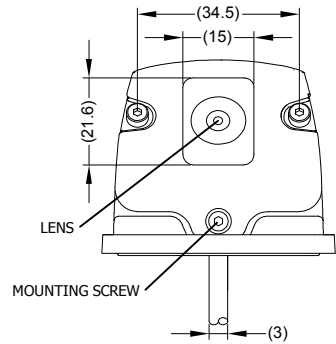
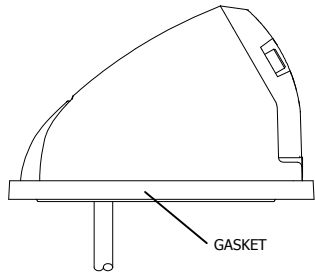


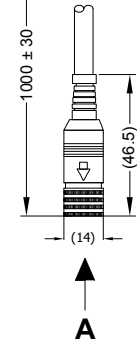
MODEL NO.	STOCK CODE	QTY	DESCRIPTION
BE-300C	(A2052A)	1	LEFT, MIRROR IMAGE
BE-301C	(A2053A)	1	RIGHT, MIRROR IMAGE
BE-302C	(A2065A)	1	REAR VIEW, MIRROR IMAGE
BE-303C	(A2091A)	1	FRONT VIEW, NORMAL IMAGE
BE-304C	(A2092A)	1	CEILING MOUNT, NORMAL IMAGE
BE-305C	(A2794A)	1	LEFT, NORMAL IMAGE
BE-306C	(A2795A)	1	RIGHT, NORMAL IMAGE
BE-310C	(A2109A)	1	LEFT, MIRROR IMAGE (NTSC)
BE-311C	(A2110A)	1	RIGHT, MIRROR IMAGE (NTSC)
BE-312C	(A2111A)	1	REAR VIEW, MIRROR IMAGE (NTSC)
BE-313C	(A2112A)	1	FRONT VIEW, NORMAL IMAGE (NTSC)
BE-314C	(A2113A)	1	CEILING MOUNT NORMAL IMAGE (NTSC)



Revision Notes.		
1. NOT RELEASED.		
Checked By: -	Approved By: -	Date Released: -
2. TABLE & NOTES UPDATED. DRAWING GIVEN MORE DETAIL AND DIMENSIONS.		
Checked By: G.P	Approved By: S.M	Date Released: 31/1/13



PIN #	WIRE COLOUR	DESCRIPTION
1	WHITE	VIDEO
2	YELLOW	+12V
3	N/A	N/A
4	N/A	N/A
5	SHIELD	GND



- NOTES:
- SUPPLIED WITH AC-017 (2371) & AC-018 (2372).
 - FOR PRODUCT LABEL REFER TO LATEST REVISION OF DRAWING BE-001993-XX-12.
 - FOR GIFTBOX LABEL REFER TO LATEST REVISION OF DRAWING BE-001992-XX-12.

PROPRIETARY NOTICE

THIS DESIGN AND TECHNICAL INFORMATION APPEARING ON THIS DRAWING IS THE PROPERTY OF BRIGADE ELECTRONICS, AND IS DISCLOSED IN CONFIDENCE. IT IS NOT TO BE COPIED, REPRODUCED, REVEALED TO OR EXPROPRIATED BY OTHERS, EITHER IN WHOLE OR IN PART WITHOUT THE EXPRESS WRITTEN CONSENT OF BRIGADE ELECTRONICS.

BRIGADE[®]
www.brigade-electronics.com

Assembly Pl Approval DANIEL 17/1/13	Approved by S.MATTHEWS	Checked by D.KERAI	Drawn by M.BUTLER
Angle of Projection 	Units mm	Scale N/A	Released 13/02/09
Status RELEASED	BE-3XXC SERIES CAMERA		
Stock Code SEE TABLE	BE-000707-02-09		
Third Angle		Assembly Ref -	